

Pro Series PP Ball Valves

2" & 3"

The high-performance bolted ball valves are engineered for agricultural irrigation and industrial water distribution systems. Made from durable glass-reinforced polypropylene, it offers exceptional strength and toughness, ensuring reliable operation under various conditions.



HIGHLIGHTS

- **Smooth Operation:** The self-aligning ball moves effortlessly, allowing for smooth opening and closing with minimal Torque requirement.
- **Viton O-Rings:** Equipped with Viton O-rings for superior durability and long-lasting performance.
- **Specially machined ball:** Diamond-turned after moulding, it ensures perfectly spherical surface for optimal contact sealing
- **Handle Design:** Long, flat handle design reduces operator fatigue and ensures low operating torque.

APPLICATIONS

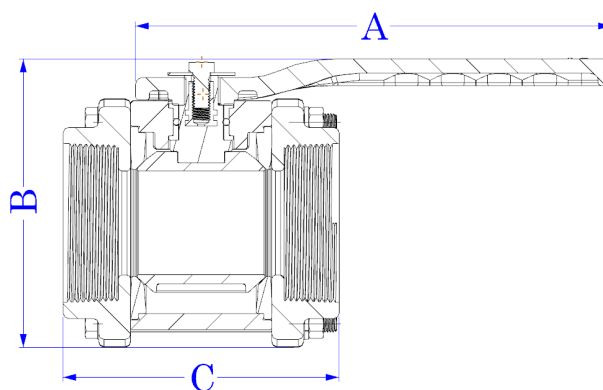
- **Agricultural Irrigation:** Perfect for managing water flow in large-scale irrigation systems.
- **Industrial Systems:** Ideal for regulating water flow in industrial applications.
- **Chemical Systems:** Resistant to harsh chemicals, making it suitable for chemical processes.



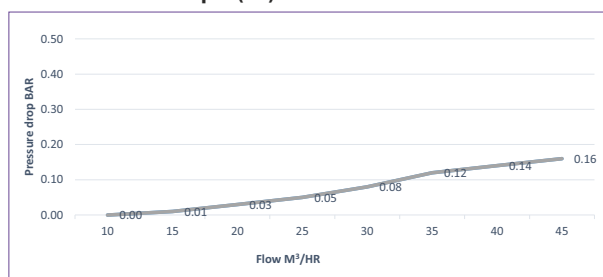
Technical Data

Size	2"	3"
Inlet /Outlet Connection	Female Threaded (BSP / NPT)	
Maximum Working Pressure	BAR (@25°C)	10
	PSI (@75 °F)	150
	BAR (@65°C)	7
	PSI (@150 °F)	100
Material of Construction	Polypropylene	
Operation Type	Manual Hand Operated	
Media	Water	
Maximum Working Temperature	65 °C / 150 °F	

Model No		Valve Size	
		2"	3"
A	CM	18	27
	INCH	7 ³ / ₃₂	10 ⁵ / ₈
B	CM	11.5	16
	INCH	4 ¹⁷ / ₃₂	6 ¹⁹ / ₆₄
C	CM	11	15.5
	INCH	4 ²¹ / ₆₄	6 ⁷ / ₆₄



Performance Graph (2")



Performance Graph (3")

